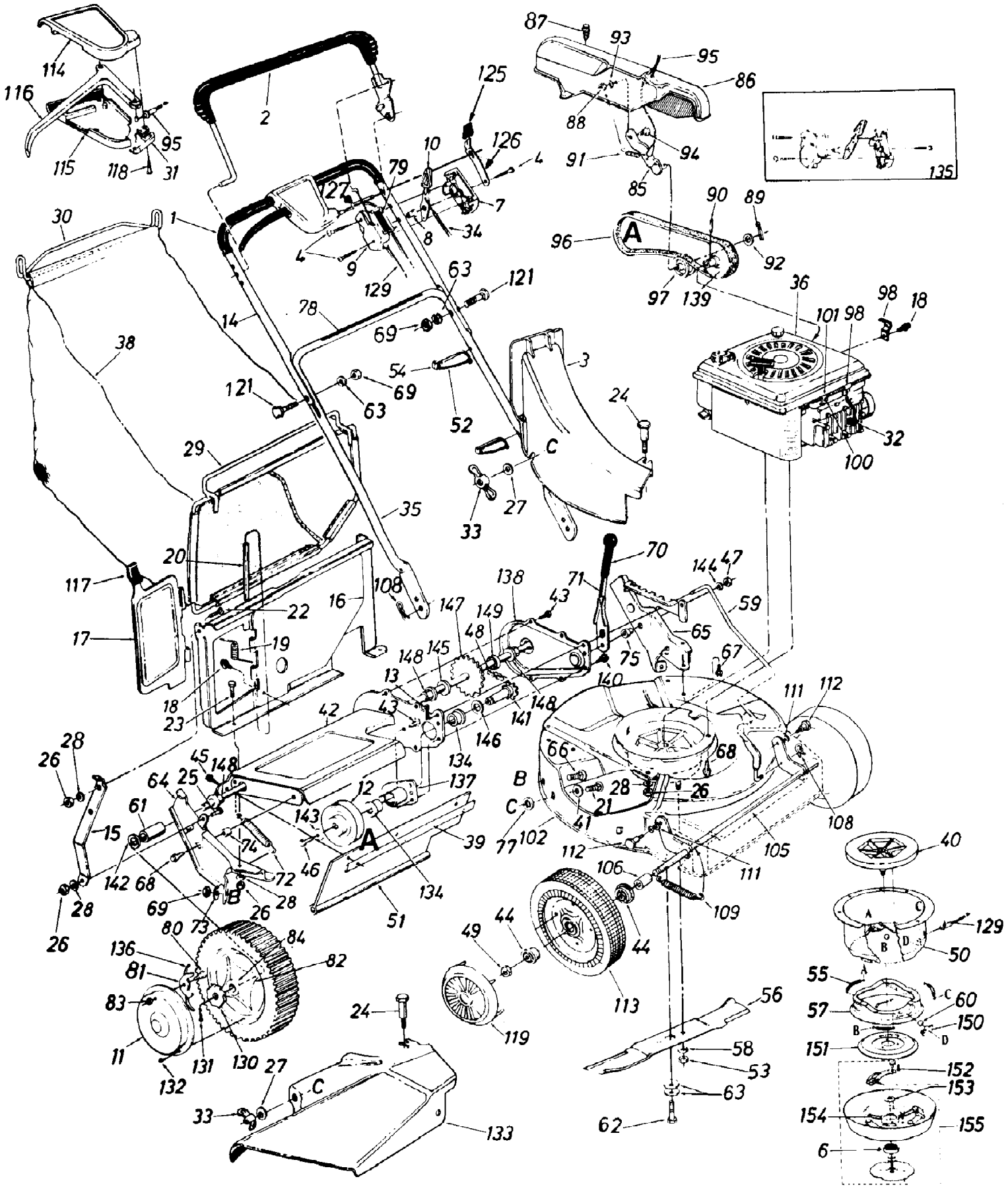


126-204-190 Lawn Boss 21 (1986)
Mower Assembly



126-204-190 Lawn Boss 21 (1986)
Mower Assembly

Page 2 of 4

Ref #	Part Number	Qty	S/P/F	Description
1	718-0145	1		Grip
2	731-0609	1		Control Handle Ass'y. L.H.
3	731-0733	1	F	Top Discharge Chute Ass'y.
4	710-0796	1	/P	Truss Mach. Scr. #12 x 1.50" Lg.
6	741-0124	1	S	Ball Brg. .669" I.D. x 1.574"
7	731-0817	1	S	Control Panel Half
8	731-0524	1		Control Disc Pin
9	731-0816	1		Clutch Panel Half
10	731-0528	1	S	Throttle Control Lever
11	10647	1	/P	Hub Cap (Rear)
12	756-0459	1		1/2" V-Pulley
13	714-0507	1	S	Cotter Pin 8/32" Dia. x .75"*
14	749-0436	1	S	Upper Handle Chrome
15	16129	1	S/F	Panel Support Brkt.
16	16140	1	S/F	Top Catcher Panel
17	16145	1	F	Top Door
18	710-0429	1	S	Hex B-Tap Scr. #10 x .38"
19	732-0483	1	S/F	Torsion Spring
20	747-0514	1	F	Pivot Pin
21	710-0134	1	/P	Carriage Bolt 1/4-20 x .62"*
22	710-0286	1	/P/F	Truss Mach . Scr. 1/4-20 x-1/2" Lg.
23	710-0289	1	S/F	Hex Bolt 1/4-20 x .50" Lg.*
24	738-0704	1	S	Shoulder Bolt .312 Dia. x .18 Lg. Special
25	710-0258	1	S/F	Hex Bolt 1/4-20 x .62" Lg.*
26	712-0287	1	S	Hex Nut 1/4-20 Thd.*
27	736-0463	1	S	FI-Wash. .280" I.D. x .620"
28	736-0329	1	S	L-Wash. 1/4" I.D.*
29	747-0494	1	F	Front Grass Catcher Frame
30	747-0495	1	F	Grass Catcher Handle
31	731-0619	1		S.P. Control Cover
32	735-0639	1	/P	Spark Plug Insulator
33	712-0109	1		Wing Nut
34	746-0633	1	S	Throttle Control Wire 58"
35	749-0505	1	S	Lower Handle Chrome
36		1		Engine
	717-0485	1		Blade Brake Clutch Comp.
38	764-0212	1	F	21" Top Discharge Grass Bag
39	14835	1		Retaining Strip
40	719-0256	1		Fan Adapter
41	736-0204	1	/P	FI-Wash. .344" I.D. x .62"
42	16121	1		Chain Axle Ass'y.
43	710-0352	1	/P	Hex B-Tap Scr. 1/4" x .38" Lg.
44	741-0180	1	S	Flange Ball Bearing 1/2" I.D.
45	710-0776	1	S	Hex AB-Tap Scr. 1/4 x .62"
46	710-0875	1		Hex Wash. TT-Tap Scr. 1/4-20
47	712-0296	1	S	Hex Patch L-Nut 3/8-24 Thd.
48	713-0353	1	S	#48 Chain .500" Pitch x .30 Links
49	712-0346	1	S	Hex L-Nut 1/2-20 Thd.
50	14307	1		Clutch Housing
51	731-0671	1		Rear Flap 3.75" x 17.30" Lg.
52	725-0157	1	/P	Cable Tie
53	712-0328	1		Hex Nut 3/8-24 Thd.
54	726-0241			

Ref #	Part Number	Qty	S/P/F	Description
55	732-0397	1		Extension Spring .35" O.D. x 1.75" Lg.
56	742-0290	1		21" Blade
57	14305	1		Brake Cup Cone
58	736-0169	1	S	L-Wash. 3/8" I.D.*
59	747-0496	1		Height Adj. Rod 19.42" Lg.
60	741-0326	1		Steel Ball .500" Dia.
61	748-0191	1	S	Spacer .51" I.D. x .69" O.D. x .69" Lg.
62	710-0818	1	/P	Hex Cent. L-Bolt 3/8-24 x 2.0" Lg. (Grade 8)
63	736-0105	1	/P	Bell-Wash. 3/8" I.D.
64	16136	1	S	R.H. Handle Wheel Brkt. Ass'y.
65	16137	1	S	L.H. Handle Wheel Brkt. Ass'y.
66	710-0260	1	S	Carriage Bolt 5/16-18 x .62"*
67	710-0603	1	/P	Hex Wash. Hd. B-Tap Scr. 5/16-18
68	710-0654	1	S	Hex Wash. Hd. TT-Tap Scr. 3/8-16
69	712-0267	1	S	Hex Nut 5/16-18 Thd.*
70	720-0143	1		Grip
71	732-0473	1	S	Height Adj. Lever
72	732-0481	1	S	Extension Spring .50" O.D. x 3.80" Lg.
73	736-0242	1	/P	Bell-Wash. .345" I.D. x .88"
74	750-0526	1		Spacer .385" I.D. x .502" O.D. x .270" Lg.
75	750-0624	1		Shld. Spacer .500" Dia. x .100
77	726-0233	1	/P	Bolt Retainer 1/4 X .50" O.D.
78	777-5775	1		Instruction Label
79	777-5772	1		Control Label
80	738-0137	1		Shld. Scr. .342" Dia. x .268
81	748-0188	1	S	Pawl
82	734-1411	1	S	Wheel Ass'y. Comp. Rear 8 x 1.75
83	712-0324	1	/P	Hex Ins. L-Nut 1/4-20 Thd.
84	741-0180	1	S	Flange Ball Bearing 1/2" I.D.
85	16134	1		Belt Idler Bracket Ass'y.
86	16146	1		Belt Cover
87	710-0599	1	/P	Hex Wash. S-Tap Scr. 1/4-20 x .50" Lg.
88	712-0287	1	S	Hex Nut 1/4-20 Thd.*
89	714-0115	1	S	Cotter Pin 1/8" Dia. x 1.00" Lg. *
90	715-0247	1	S	Spring Pin Spir. 3/16" Dia. x 1.00" Lg.
91	732-0357	1	S	Extension Spring .33" O.D. x 1.12" Lg.
92	736-0160	1	S	FI-Wash. .531" I.D. x .930" O.D. x .050
93	736-0329	1	S	L-Wash. 1/4" I.D.*
94	738-0255	1	S	Shld. Bolt .375" Dia. x .181
95	746-0466	1	S	S.P. Cable x 53.0" Lg.
96	754-0104	1		"V"-Belt 1/2 " X 32.0" Lg.
97	756-0360	1		FI-Idler Plastic 1.62" Dia. (Grade 8)
98	12894	1		Casing Clamp
100	710-0436	1	S	Hex B-Tap Scr. #10 x .62"
101	751-0442	1		Casing Clamp
102	16126	1		21" Deck Ass'y.
105	10662	1		Front Axle Ass'y.
106	711-0313	1	S	Sleeve .526" I.D. x .690" O.D. x .880" Lg.
108	714-0104	1	S	Intern. Cotter Pin 5/16" Dia.
109	732-0482	1		Extension Spring .50" O.D. x 3.20" Lg.
111	736-0221	1	/P	Intern. L-Wash. 3/8 I.D.*
112	738-0615	1		Shld. Bolt .623" Dia. x .425
113	734-0922	1		Ass'y. Comp. 7 x 1.50

126-204-190 Lawn Boss 21 (1986)
Mower Assembly

Page 4 of 4

Ref #	Part Number	Qty	S/P/F	Description
114	731-0617	1	S	Self-Propelled Control Cover
115	731-0618	1	S	Self-Propelled Control Cover
116	731-0620	1	S	Control Lever
117	720-0208	1		Door Grip
118	710-0841	1	/P	FI-"C"-Sunk Hd. Tap Scr. #10 x .75" Lg.
119	731-0124	1		Hub Cap Plastic
121	710-0671	1	S	Curved Carr. Bolt 5/16-18 x 1.38" Lg.
125	720-0190	1	S	Spring Lever Knob
126	732-0401	1		Lockout Spring
127	731-0607	1		Lock Pin .314" Dia. x 1.75"
129	746-0400	1		Blade Brake/Clutch Cable 46" Lg.
130	748-0187	1		Ratchet Wheel 1.62" O.D.
131	714-0115	1	S	Cotter Pin 1/8" Dia. x 1.00" Lg.*
132	710-0748	1	/P	Pan Hd. Tap Scr. #12 x .50" Lg.
133	16559	1		Side Chute Deflector Ass'y.
134	748-0249	1		Flange Bushing
135	753-0431	1		Kit Control Housing Comp.
136	10622	1	S	Spring Nylon
137	16118	1		Bearing Hub Flange Ass'y.
138	16119	1		Chain Cover
139	756-0460	1		Engine Pulley 1/2"
140	710-0599	1	/P	Hex Wash. S-Tap Scr. 1/4-20 x.50" Lg.
141	713-0355	1		Sprocket Shaft Ass'y.
142	736-0160	1	S	FI-Wash. .531" I.D. x .93" O.D.
143	736-0270	1	/P	Bell-Wash. .265" I.D. x .75" O.D.
144	736-0300	1	S	FI-Wash. .385" I.D. x .87" O.D.
145	736-0326	1	S	FI-Wash. .51" I.D. x 1.0" O.D.
146	736-0254	1	S	FI-Wash. .62" I.D. x 1.12" O.D.
147	738-0614	1		Rear Shaft Ass'y. 22.05" Lg.
148	741-0324	1	S	Hex Flange Bearing .506" I.D. Plastic
149	748-0301	1		Spacer .510" I.D. x 1.00" O.D. x .210" Lg.
150	731-0520	1		Ball Block
151	14304	1		Clutching Cone
152	710-0875	1		Hex Tap L-Scr. 1/4-20 x .75" Lg.
153	736-0333	1		FI-Wash. .690" I.D. x 1.060" O.D.
154	732-0396	1		Compression Spring .35" O.D. x 2.00" Lg.
155	14300	1		Clutch Blade Housing Ass'y.
	726-0111	1	/P	Push Cap
	8204-000-6	1		Hardware Pack